



*Water solutions for a changing world*

## **Sulfur Guard™ with Sulfaban™**

*A simple way to clean, fresh, sulfur-free water*

### **Kinetico Advantages**

- Effectively removes Hydrogen Sulfide
- More reliable than traditional electric systems
- Provides an uninterrupted supply of clean water
- Operates efficiently to save you money
- Eliminates expensive, maintenance-intensive multi-stage systems



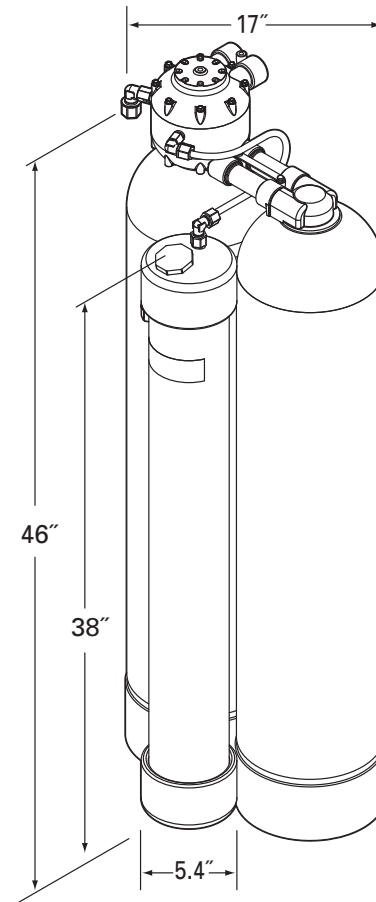
# What Makes The Kinetico Sulfur Guard System with Sulfaban™ Different?

## What Difference Does It Make To You?

- 1. Effective Sulfur (rotten egg) odor removal.** Assures continuous supply of clean, fresh, odor-free water.
- 2. Exclusive Sulfaban media.** Long life. Effectively removes hydrogen sulfide gas from water.
- 3. Simple Solution.** Eliminates the need for multiple systems to solve a hydrogen sulfide problem.
- 4. Easy Maintenance.** Household bleach or hydrogen peroxide cleans the system. Convenient storage reservoir houses the regenerant.
- 5. Non-Electric.** Reliable, no timers or computers to set, adjust, repair or replace.
- 6. Metered, Demand Operated.** Unlimited supply of clean, fresh water. Eliminates guesswork and intermittent odor breakthroughs.
- 7. Twin Tank System.** Unlimited supply of fresh, clean water. Enables system to clean itself with clean water.
- 8. Automatic Operation.** System automatically cleans itself only when needed. Just add regenerant to reservoir when necessary.
- 9. Parallel Service Flow.** Both tanks are in service simultaneously. Increases contact time with Sulfaban media. Ensures higher quality water, prolongs system life and increases water flow.
- 10. Corrosion-Resistant Valve and Tanks.** Long lasting. Can endure harsh environments.
- 11. Outstanding Warranty.** Dependability, peace of mind.

*NOTE: The Kinetico Sulfur Guard System is designed to operate with water that contains less than 1 grain per gallon hardness, less than .3 ppm iron and a maximum pH of 9.5. Conditions that exceed these levels will require pretreatment.*

**KINETICO®**  
Water solutions for a changing world



Kinetico offers a complete line of water treatment products for total water management. Call your authorized Kinetico dealer to find out how Kinetico products can solve all your water concerns.

Your water must be tested by a professional to determine which Kinetico product is best suited for your water conditions. Consult your authorized Kinetico dealer for a water analysis and product recommendation.

[www.kinetico.com](http://www.kinetico.com)

©2003 Kinetico Incorporated  
"Kinetico," the Kinetico logo and the "Girl Drinking Water" image are registered trademarks of Kinetico Incorporated, Newbury, Ohio.

Made in U.S.A.

Part No. 9646